



KMD-25-2DALI-E2 [25W 36V 680mAx2CH]

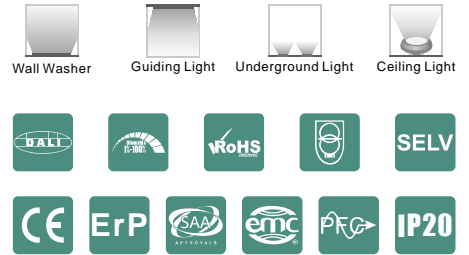
Product Overview

- KMD-25-2DALI-E2 is a dimming driver that can provide Constant current output.
- Complies with DALI standard protocol IEC 62386,DALI Digital control input, PWM Output.
- Built-in MCU,customisable logarithmic or linear dimming
- With smooth dimming curve and are flicker free.
- Isolated power supply design
- Compatible with Dali touch control(KDD-DIM-L-06)



Product Feature

- Two channel 680mA constant current output
- Input voltage range from 100VAC to 240VAC
- Waterproof level IP 20,PF factor design is 0.93, and the efficiency is up to 85%
- Round design, perfectly cooperate with the use of shooting light and suction dome light
- Protections:Short circuit,over load,over current
- Comply with DALI protocol IEC 62386:101 102 207
- The dimming effect is smooth, no flicker, no jitter
- Suitable for LED CC lighting, such as LED spotlights, LED ceiling lights, LED wall washing lights, LED buried lights, etc

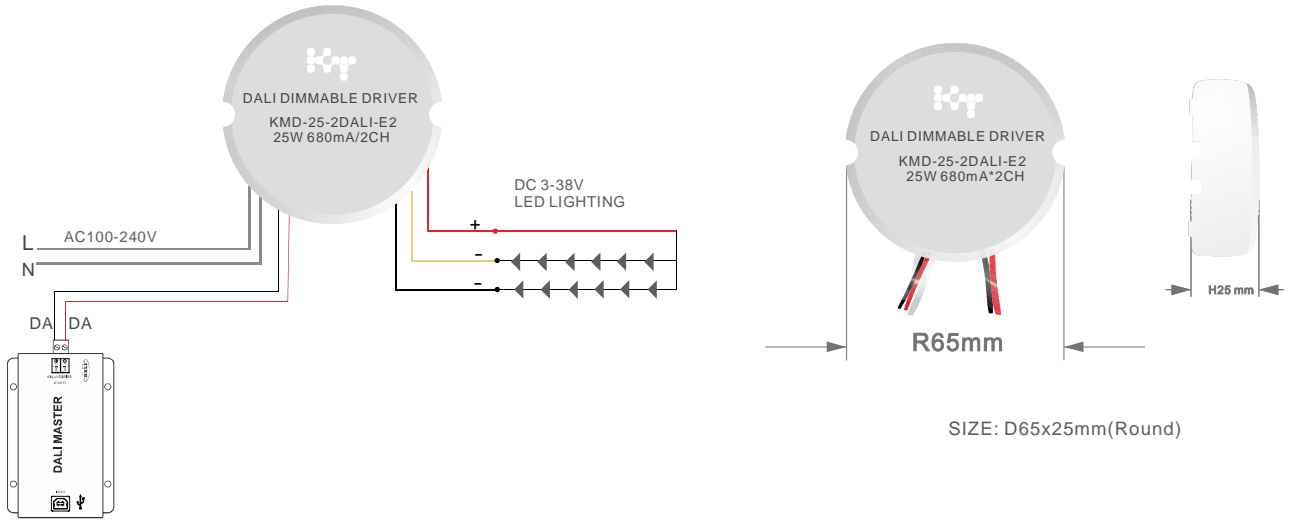


Technical Parameters

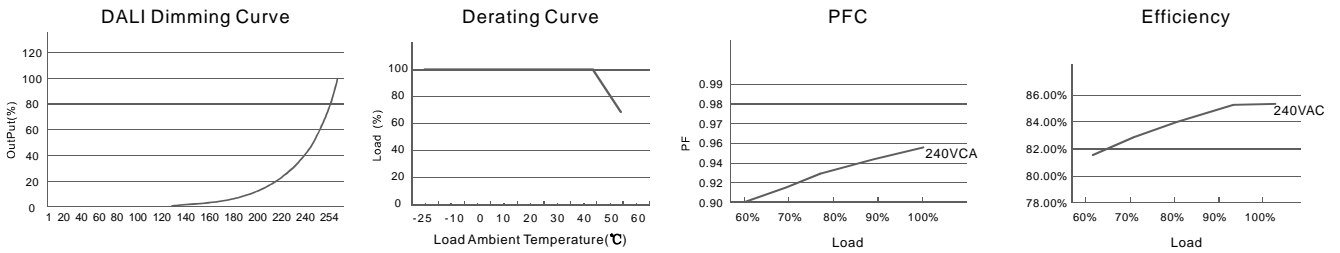
Model	KMD-25-2DALI-E2 [36V 680mAx2CH 25W]	
Input	Efficiency	85%@230VAC,Full load
	Voltage	100VAC~240VAC
	Frequency	50~60Hz
	Power Factor	>0.93 @230VAC,Full load
	THD	<20%230AVC,Full load
	Standby power	0.5W
	Current	0.14Amax@220VAC
	Leakage current	<3mA/240V
Output	Direct voltage	3VDC-38VDC
	Rated current	680mAx2CH
	Rated Power	25W Max
	Current Tolerance	±3%
	Open circuit voltage	40VDC
	Rippl and noise(max)	<800mVP-P
	Channel	2Channel
Protection	Short circuit protection	Connect wrong output positive negative pole,still can work normally
	Overload protection	When a predetermined current or voltage is exceeded,it enters a protected state
	Temperature protection	The chip itself has protection
Safety&EMC	High-voltage insulation test	I/P-O/P:3.75KVAC
	Insulation resistance	I/P-O/P:>100M Ohms/500VDC/25(4)/70% RH
	Safety Standards	IEC/EN61347-1,IEC/EN61347-2-13
	EMC Eission	EN IEC 55015,EN61000-3-2, IEC61000-3-3
	EMC Immunity	EN 61547
Function	Dimming range	0.1%-100%
	Dimming depth	0.1%
	DALI standard	IEC62386-101,IEC62386-102, IEC62386-207
Others	Working Temp.	-25(4)~+45(4)
	Storage Temp.; Humidity	-40(4)~85(4),20-90%RH
	Temperature point-Tc	75(4)
	Shell Material	PC
	IP Rating	IP20
	Lifetime	50,000h @ta:25(4)
	Warranty Condition	3 years
	Switch Cycle	>15000times
	Net weight	100g
Dimension	D65x25mm(Round)	



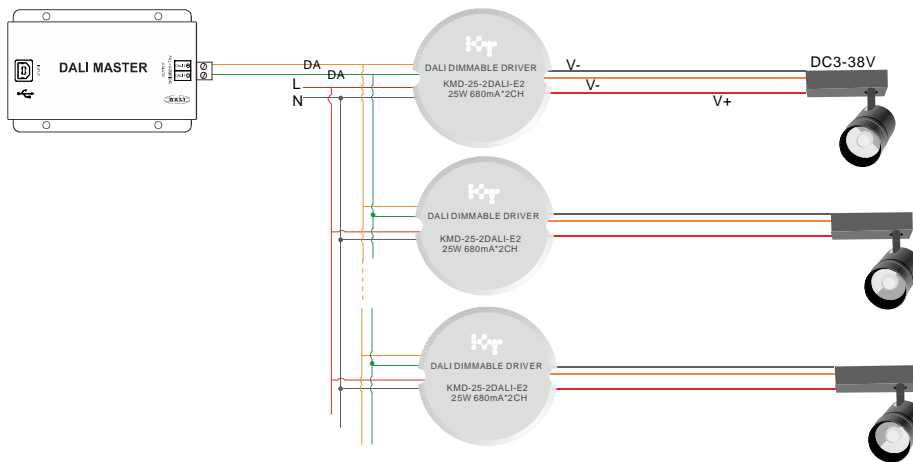
Wiring Diagram



DALI Dimmable driver performance chart



DALI uses connection diagrams



Dali Dimmable Driver has synchronization function during the dimming process

※ The contents of this manual are updated without prior notice. If the function of the product you are using is inconsistent with the instructions, the function of the product shall prevail. Please contact us if you have any questions.